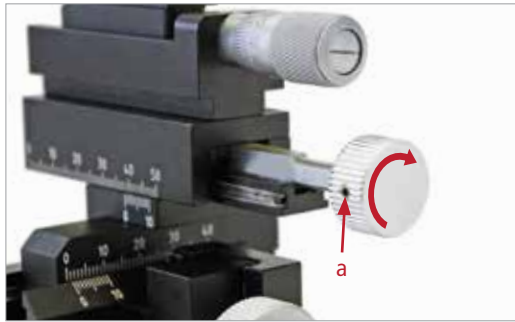


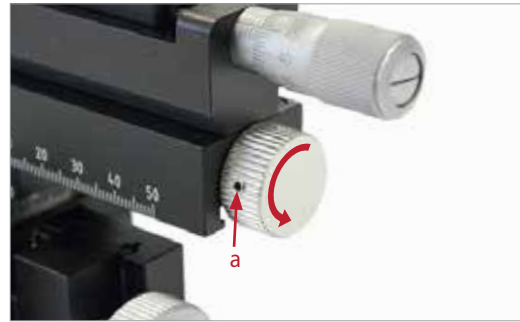
Torque adjustment

X-axis: increase torque



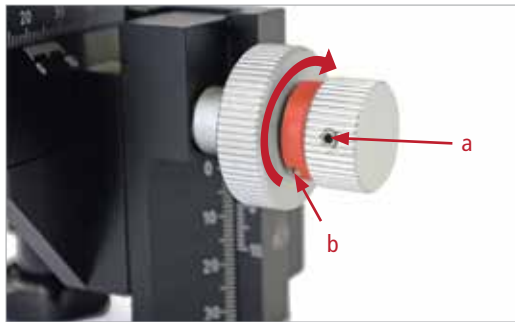
- 1 Turn the X-drive knob clockwise up to the stop.
- 2 Loosen the screw (a) in the X-drive knob.
- 3 Turn the X-drive knob clockwise until the desired torque is achieved.
- 4 Tighten the screw (a) in the X-drive knob.

X-axis: decrease torque



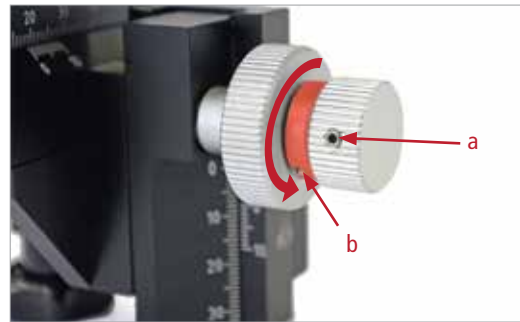
- 1 Turn the X-drive knob counterclockwise up to the stop.
- 2 Loosen the screw (a) in the X-drive knob.
- 3 Turn the X-drive knob counterclockwise until the desired torque is achieved.
- 4 Tighten the screw (a) in the X-drive knob.

Z-axis: increase torque



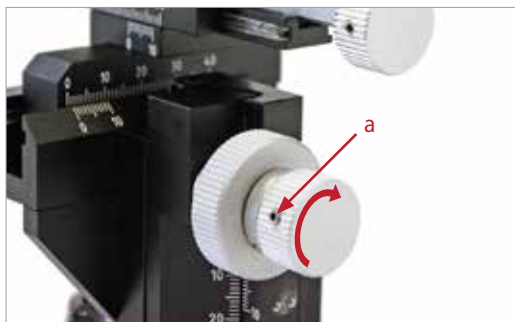
- 1 Loosen the screw (a) in the Y-drive knob.
- 2 Loosen the screw (b) in the (red) adjustment ring.
- 3 Turn the adjustment ring clockwise until the desired torque is achieved.
- 4 Tighten the screw (b) in the adjustment ring.
- 5 Tighten the screw (a) in the Y-drive knob.

Z-axis: decrease torque



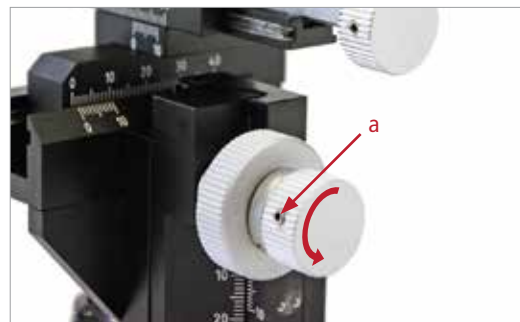
- 1 Loosen the screw (a) in the Y-drive knob.
- 2 Loosen the screw (b) in the (red) adjustment ring.
- 3 Turn the adjustment ring counterclockwise until the desired torque is achieved.
- 4 Tighten the screw (b) in the adjustment ring.
- 5 Tighten the screw (a) in the Y-drive knob.

Y-axis: increase torque



- 1 Turn the Y-drive knob clockwise up to the stop.
- 2 Loosen the screw (a) in the Y-drive knob.
- 3 Turn the Y-drive knob clockwise until the desired torque is achieved.
- 4 Tighten the screw (a) in the Y-drive knob.

Y-axis: decrease torque



- 1 Turn the Y-drive knob counterclockwise up to the stop.
- 2 Loosen the screw (a) in the Y-drive knob.
- 3 Turn the Y-drive knob counterclockwise until the desired torque is achieved.
- 4 Tighten the screw (a) in the Y-drive knob.

WORLD PRECISION INSTRUMENTS

USA: International Trade Center, 175 Sarasota Center Boulevard, Sarasota FL 34240-9258 USA

Tel: (941) 371-1003 • Fax: (941) 377-5428 • E-mail: wpi@wpiinc.com • Internet: www.wpiinc.com

UK: 1 Hunting Gate, Hitchin, Hertfordshire SG4 0TJ England • Tel: 44 (0)1462 424700 • E-mail: wpiuk@wpi-europe.com

Germany: Saarstraße 23, D-61169 Friedberg (Hesson) • Tel: +49 (0)6031 1602171 • Fax: +49 (0)6031 1602180 • E-mail: wpi@wpi-europe.com

China & Hong Kong: Rm 25e, No8 Dongfang Rd., Pudong District, Shanghai 200120 PRC • Tel: +86 688 85517 • E-mail: ChinaSales@china.wpiinc.com

Brazil: Conselheiro Nabias, 756 sala2611, Santos-São Paulo 11045-002 Brazil • E-mail: info@brazil.wpiinc.com